



2241 221st Ave. NE • East Bethel, MN 55011
Phone: (763) 367-7844 • Fax: (763) 434-9578

PERMIT APPLICATION FOR DRIVEWAYS ON CITY ROADS

Job Address: _____

Owner's Name: _____ Phone: _____

E-mail: _____

General Contractor (if being used): _____ Phone: _____

E-mail: _____ Contractor's Lic. #: _____

Is the driveway accessing a city road: YES NO

County road driveways must be applied for through Anoka County.

Is the city road paved: YES NO

Driveways located on an improved street require a bituminous or concrete driveway extending from the street a minimum of 75 feet or to the garage apron, whichever is less.

In all residential districts, driveways created on an unimproved street after the adoption of [ordinance 28, second series, adopted Dec. 21, 2010] are required to meet the paving requirements of this section NO LATER THAN ONE YEAR AFTER subsequent improvements of the street are completed, with either a bituminous and/or concrete surface.

What is the speed limit on the city road the driveway will be accessing: _____ mph

A turn-around, located entirely on a residential lot, will be required for driveways that directly access a street with a posted speed limit greater than 45 miles per hour.

What material will the driveway be: _____

Total Length: _____

Total Width: _____

Driveway width shall be a minimum of 12 feet wide and cannot exceed 24 feet in width at the right-of-way.

Zoning: _____

You must not allow sediment to get into the ditch or public right-of-way.

A 15" culvert may be needed as determined by zoning plan review.

THIS PERMIT BECOMES NULL AND VOID IF WORK OR CONSTRUCTION AUTHORIZED IS NOT COMMENCED WITHIN 180 DAYS, OR IF CONSTRUCTION OR WORK IS SUSPENDED OR ABANDONED FOR A PERIOD OF 180 DAYS AT ANY TIME AFTER WORK IS COMMENCED.

I HEREBY CERTIFY THAT I HAVE READ AND EXAMINED THIS APPLICATION AND KNOW THE SAME TO BE TRUE AND CORRECT. ALL PROVISIONS OF LAWS AND ORDINANCES GOVERNING THIS TYPE OF WORK WILL BE COMPLIED WITH WHETHER SPECIFIED HERIN OR NOT. THE GRANTING OF A PERMIT DOES NOT PRESUME TO GIVE AUTHORITY TO VIOLATE OR CANCEL THE PROVISIONS OF ANY OTHER STATE OR LOCAL LAW REGULATING CONSTRUCTION OR THE PERFORMANCE OF CONSTRUCTION.

TOTAL AMOUNT DUE \$ 52

Signature of Owner or Authorized Agent: _____ Date: _____

Signature of Owner (if owner builder): _____ Date: _____

Zoning Approval: _____ Date: _____

INFORMATION NECESSARY WHEN APPLYING FOR A DRIVEWAY PERMIT ON A CITY ROAD

1. Permit application completed and signed.
2. Two sets of detailed plans or blueprints which include lot lines. The two copies of the residential survey or site plan should indicate the following: Distances from the property lines, buildings on the same property, previous and future driveway location, septic system and well locations, lot size and any wetlands, rivers, lakes or easements. Site plan must be approved by the Building Inspector. If the property lines cannot be determined, a survey will be required.
3. The septic system location must be fenced off before a permit will be issued.
4. You must not allow sediment to get into the ditch or public right-of-way.
5. A 15" culvert may be needed as determined by building plan review.

SEPTIC SYSTEMS: Septic systems may need to be upgraded before a permit is issued. If you have any questions, please contact the Building Department.



2241 221st Ave. NE • East Bethel, MN 55011
Phone: (763) 367-7844 • Fax: (763) 434-9578

SHORELAND OVERLAY DISTRICT - IMPERVIOUS SURFACE CALCULATIONS

These calculations are **REQUIRED** per East Bethel Code of Ordinances
Appendix A - Zoning, Section 57 if your property is in the Shoreland Overlay District.

Impervious surface Definition per East Bethel Ordinance: The area of a lot (above the ordinary high water level) covered with buildings including all appurtenances, driveways and sidewalks, and similar impervious materials. For the purpose of this section, driveways that have a gravel base shall be considered impervious. Decks that allow drainage through the decking and that do not have a plastic weed barrier or some other material that would impede drainage into the ground and swimming pool water surface area shall not be considered impervious.

Job Address or PID: _____	
Impervious Surface Calculations completed by: (name) _____	
who is the following: <input type="checkbox"/> Homeowner <input type="checkbox"/> Contractor <input type="checkbox"/> Land Surveyor <input type="checkbox"/> Other: _____	
Date these calculations were completed: _____	
<p style="text-align: center;"><u>PROPERTY OWNER:</u></p> <p>NAME: _____</p> <p>PHONE: _____</p> <p>EMAIL: _____</p>	<p style="text-align: center;"><u>APPLICANT/CONTRACTOR:</u></p> <p style="text-align: center;"><input type="checkbox"/> SAME AS PROPERTY OWNER</p> <p>NAME: _____</p> <p>PHONE: _____</p> <p>EMAIL: _____</p>

What lake(s) is applying the Shoreland Overlay (select all that apply):

- | | | |
|--|---|--------------------------------------|
| <input type="checkbox"/> Anderson Lake | <input type="checkbox"/> Deer Lake | <input type="checkbox"/> Minard Lake |
| <input type="checkbox"/> Booster Pond Lake | <input type="checkbox"/> Devil Lake | <input type="checkbox"/> Mud Lake |
| <input type="checkbox"/> Cedar Creek Lake | <input type="checkbox"/> Fish Lake | <input type="checkbox"/> Ned's Lake |
| <input type="checkbox"/> Cooper's Lake | <input type="checkbox"/> Goose Lake | <input type="checkbox"/> Rice Lake |
| <input type="checkbox"/> Coon Lake | <input type="checkbox"/> Lone Pine Lake | |

Ordinary High Water (OHW) level: _____ elevation

Total square footage of lot **above** the Ordinary High Water level: _____ sq. ft.

Total square footage of **existing** impervious surfaces on lot: _____ sq. ft.

Total percentage of **existing** impervious surface: _____ %

Total square footage of **proposed** impervious surface: _____ sq. ft.

Total percentage of **proposed** impervious surface: _____ % (maximum 25%)

Signature of person completing calculations: _____ Date: _____

The site plan must include the Ordinary High Water level elevation and all measurements and calculations. If the calculations indicate that the impervious surface encroaches the maximum percentage, then a Certificate of Survey will be required with this information printed on the survey.

15. - Driveway access and standards.

A. *Access requirements.*

- 1) Properties in the R1 and R2 districts are allowed one access point from a public street.
- 2) Properties in the RR and A districts are allowed two access points from a public street; however, properties located on municipal state aid streets, major thoroughfares, and major streets are allowed one access point from a public street.

B. *Surface and drainage.*

- 1) Off-street parking areas and driveways in the R-1, R-2, B-1, B-2, B-3, I, and conditional uses in the RR districts shall be constructed of a bituminous or concrete surface.
- 2) In all residential zoning districts, driveways located on an improved street require a bituminous or concrete driveway extending from the street a minimum of 75 feet or to the garage apron, whichever is less. Driveway width shall be a minimum of 12 feet wide and cannot exceed 24 feet in width at the right-of-way. A turn-around, located entirely on a residential lot, will be required for driveways that directly access a street with a posted speed limit greater than 45 miles per hour.
- 3) Parking spaces for heavy equipment that would damage bituminous or concrete surfaces are exempt from the paving requirement.
- 4) In all residential districts, driveways created on an unimproved street after the adoption of [ordinance 28, second series, adopted Dec. 21, 2010] are required to meet the paving requirements of this section no later than one year after subsequent improvements of the street are completed, with either a bituminous and/or concrete surface.
- 5) All new driveways over 150' must conform with the Fire Apparatus Access Road standards as adopted in City Code Section 30-39 and set forth in the Minnesota Uniform Fire Code as amended from time to time.

WHAT IS A BITUMINOUS SURFACE?

Bitumen is a type of paving that cannot be loose, normally some type of asphalt. It is a black viscous mixture of hydrocarbons obtained naturally or as a residue from petroleum distillation. We will accept:

Concrete



Asphalt



Paving



Recycled Blacktop



We do not accept crushed rock or anything that is loose. The material must stick together.

APPENDIX D

FIRE APPARATUS ACCESS ROADS

The provisions contained in this appendix are not mandatory unless specifically referenced in the adopting ordinance.

SECTION D101 GENERAL

D101.1 Scope. Fire apparatus access roads shall be in accordance with this appendix and all other applicable requirements of the *International Fire Code*.

SECTION D102 REQUIRED ACCESS

D102.1 Access and loading. Facilities, buildings or portions of buildings hereafter constructed shall be accessible to fire department apparatus by way of an approved fire apparatus access road with an asphalt, concrete or other approved driving surface capable of supporting the imposed load of fire apparatus weighing at least 75,000 pounds (34 050 kg).

SECTION D103 MINIMUM SPECIFICATIONS

D103.1 Access road width with a hydrant. Where a fire hydrant is located on a fire apparatus access road, the minimum road width shall be 26 feet (7925 mm). See Figure D103.1.

D103.2 Grade. Fire apparatus access roads shall not exceed 10 percent in grade.

Exception: Grades steeper than 10 percent as approved by the fire chief.

D103.3 Turning radius. The minimum turning radius shall be determined by the fire code official.

D103.4 Dead ends. Dead-end fire apparatus access roads in excess of 150 feet (45 720 mm) shall be provided with width and turnaround provisions in accordance with Table D103.4.

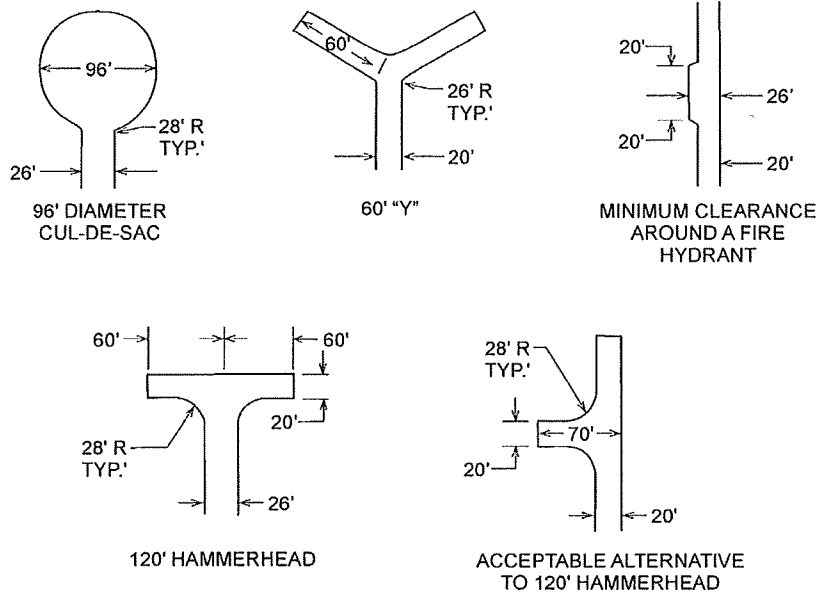
**TABLE D103.4
REQUIREMENTS FOR DEAD-END FIRE
APPARATUS ACCESS ROADS**

LENGTH (feet)	WIDTH (feet)	TURNAROUNDS REQUIRED
0-150	20	None required
151-500	20	120-foot Hammerhead, 60-foot "Y" or 96-foot-diameter cul-de-sac in accordance with Figure D103.1
501-750	26	120-foot Hammerhead, 60-foot "Y" or 96-foot-diameter cul-de-sac in accordance with Figure D103.1
Over 750	Special approval required	

For SI: 1 foot = 304.8 mm.

D103.5 Fire apparatus access road gates. Gates securing the fire apparatus access roads shall comply with all of the following criteria:

1. The minimum gate width shall be 20 feet (6096 mm).



For SI: 1 foot = 304.8 mm.

**FIGURE D103.1
DEAD-END FIRE APPARATUS ACCESS ROAD TURNAROUND**

Zoning Setbacks

Zoning	Front Yard Setback on City Road	Side Yard Setback	Side Yard Setback on a City Road	Rear Yard Setback	Setback from County Road	2nd Driveway Allowed	Primary Structure Setbacks	Septic setbacks	Well setbacks	Wetland Setbacks
R1*	30 ft	10 ft	25 ft	10 ft	100 ft	No	10 ft	Bldg must be 20 ft from drainfield and 10 ft from tanks Septics can be 10ft from a property line	3 ft from any bldg overhang	See Wetland or Shoreland Ord.
R2*	30 ft	10 ft	25 ft	10 ft		No	10 ft			
RR*	40 ft	25 ft	40 ft	25 ft		With permit	25 ft			
Whispering Aspen	28 ft	10 ft	25 ft	10 ft	NA	No	10 ft			
Viking Preserve	25 ft	7 ft	25 ft	25 ft	50 ft	No	10 ft			25 ft

*Check to see if you are in the Shoreland Overlay District as the setbacks may be different.

Shoreland Overlay Please check with staff for your setbacks as they will be different than above. 25% Impervious Surface rule applies, meaning only 25% of the property's surface can have an impervious surface where water cannot drain through it. To find out your zoning or if you are in the Shoreland Overlay District: either use the GIS map on the city website or call 763-367-7844 between M-F 8am-4pm.

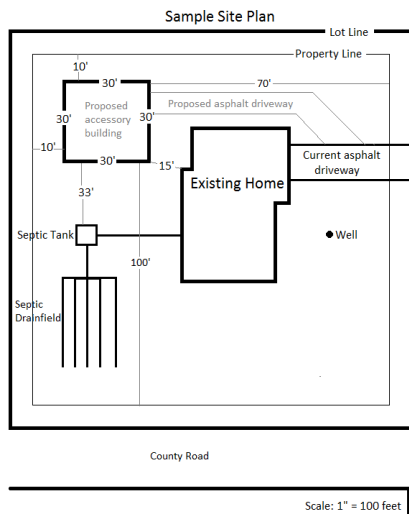
Wetland Setbacks

Water Body Type	Permanent Buffer Average Width	Minimum Building and septic system setback from delineated wetland edge
Wetlands adjacent to Significant Natural Environmental Areas (SNEA) or *highly susceptible wetlands	25 ft	50 ft
Cedar Creek or wetlands adjacent to	25 ft	Structures: 100 ft Septic systems: 75 ft
All other remaining wetlands including *slightly and moderately susceptible wetlands	15 ft	25 ft
Storm water ponds and *least susceptible wetlands	Top of slope	25 ft
Lakes	15 ft	Refer to Shoreland Overlay District ord.

*Wetland susceptibility as defined in city's water management plan

Shoreland Setbacks

Classes of Public Waters	Structures in Sewered Districts	Structures in Unsewered Districts	Sewage Treatment Systems
Lake – Natural Environment <i>Anderson Lake, Booster Pond, Cooper's Lake, Deer Lake, Devil Lake, Fish Lake, Goose Lake, Lone Pine Lake, Mud Lake, Ned's Lake, Rice Lake</i>	150 ft	150 ft	150 ft
Lake – Recreational Dvlp <i>Minard Lake</i>	75 ft	100 ft	75 ft
Lake – General Dvlp <i>Coon Lake</i>	50 ft	75 ft	50 ft
Creeks and Streams	100 ft	100 ft	75 ft



Required to be on site plan:

1. Septic system location and distances
2. Well location and distances
3. Property line location and distances
4. Wetland location and distances
5. Drainage Easements locations
6. Other structures locations and distances
7. Proposed structure location and size/measurements

Additional site plan material required for Shoreland Overlay District:

8. The Ordinary High Water (OHW) level must be provided
9. The Impervious Surface Calculations must be provided
10. A Certificate of Survey may be required